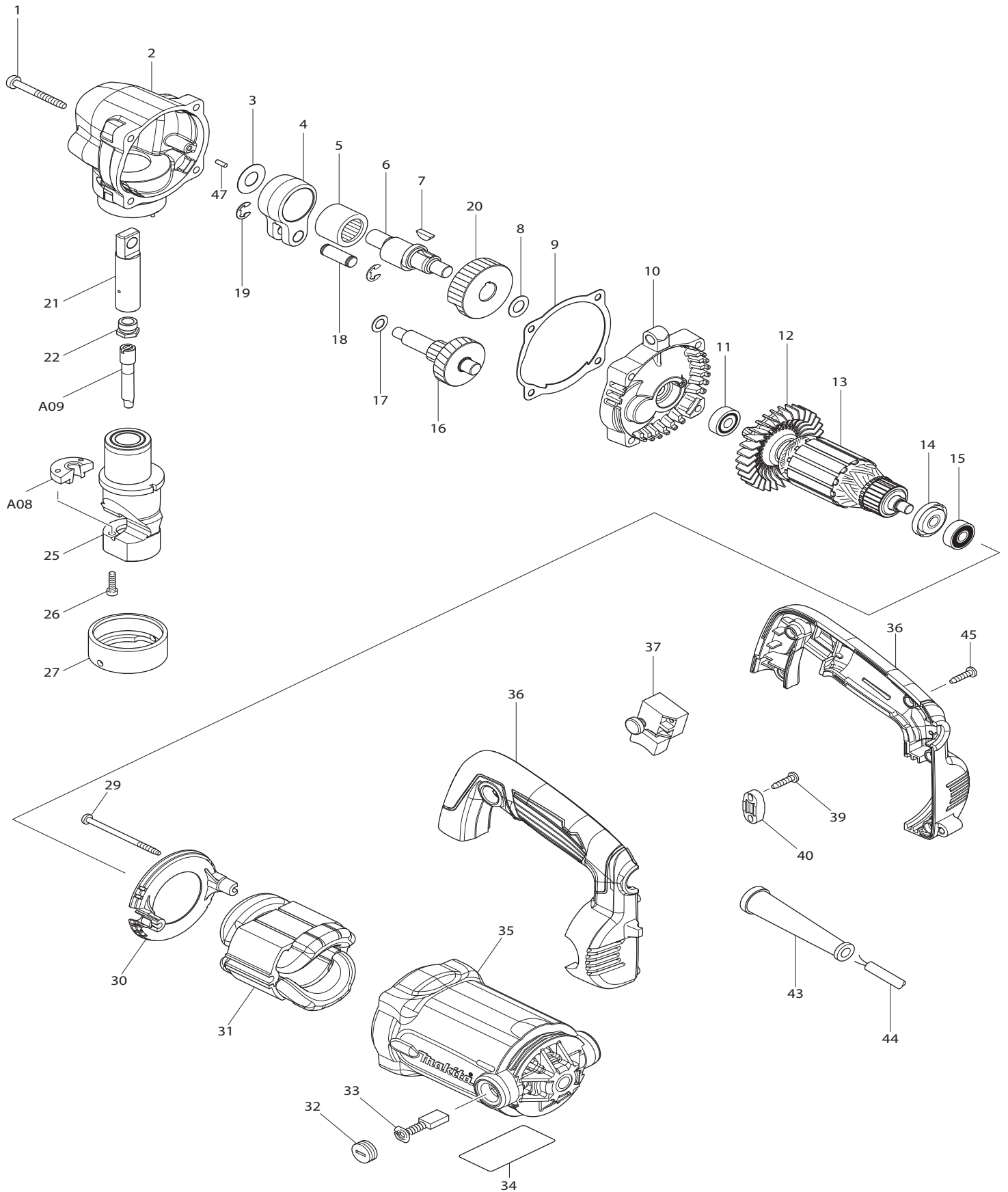




01 - 2013  
JN3201J  
12 GAUGE NIBBLER W/CASE



Item No	Type	Ref	Part No	Description	Qty	Unit
1			266056-5	TAPPING SCREW 5X45	4	PC.
2			141797-3	GEAR HOUSING COMPLETE	1	PC.
		INC.	800S41-8	INDICATION LABEL	1	PC.
3			253759-0	FLAT WASHER 12	1	PC.
4			331167-6	ROD	1	PC.
5			212306-6	NEEDLE BEARING 2020	1	PC.
6			321408-8	CRANK SHAFT	1	PC.
7			254001-2	WOODRUFF KEY 4	1	PC.
8			253758-2	FLAT WASHER 10	1	PC.
9			442186-8	* GASKET	1	PC.
10			141796-5	GEAR HOUSING COVER COMPLETE	1	PC.
		INC.	263002-9	RUBBER PIN 4	1	PC.
11			211031-6	BALL BEARING 608LLB	1	PC.
12			240094-5	FAN 70	1	PC.
13			513856-7	ARMATURE ASS'Y 115V	1	PC.
		INC.		ITEM 11,12,14,15		
14			681644-1	INSULATION WASHER	1	PC.
15			210029-0	BALL BEARING 608ZZ	1	PC.
16			226060-6	GEAR COMPLETE 15-46	1	PC.
17			253215-0	FLAT WASHER 8	1	PC.
18			321418-5	PIN 9	1	PC.
19			961013-5	STOP RING E-7	2	PC.
20			221880-3	SPUR GEAR 44	1	PC.
21			152486-5	PUNCH HOLDER COMPLETE	1	PC.
22			321406-2	SCREW	1	PC.
25			152176-0	DICE HOLDER COMPLETE	1	PC.
26			922127-5	HEX. SOCKET HEAD BOLT M4X16	2	PC.
27			321415-1	LOCK NUT	1	PC.
29			266340-8	TAPPING SCREW 4X65	2	PC.
30			454140-0	BAFFLE PLATE	1	PC.
31			525866-2	FIELD ASS'Y 115V	1	PC.
		INC.	654020-2	RING TERMINAL	2	PC.
		INC.	654501-6	CONNECTOR P-1.25	2	PC.
32			643750-0	BRUSH HOLDER CAP	2	PC.
33			194996-6	CARBON BRUSH CB-303 2PC/SET	1	SET
34			814C94-5	JN3201 NAME PLATE	1	PC.
35			158278-0	MOTOR HOUSING COMPLETE	1	PC.
		INC.	643708-9	BRUSH HOLDER 5-11	2	PC.
36			187532-5	HANDLE SET	1	SET
37			651284-9	SWITCH SGEL115CDY-6	1	PC.
39			266326-2	TAPPING SCREW 4X18	2	PC.
40			687063-9	CORD CLAMP	1	PC.
43			682503-2	CORD GUARD 8-90	1	PC.
44			664064-4	CORD W/PLUG 2P-18-2.5M, SJ	1	PC.
45			266326-2	TAPPING SCREW 4X18	5	PC.
47			256255-7	PIN 3	1	PC.
100			341796-7	WASHER (SHIM) F/CUTTING STAINLESS STEEL (See Instruction Manual Pg. 5)	2	PC.
D01			652008-6	PAN HEAD SCREW M3.5X7	2	PC.
D02			652257-5	CLAMP WASHER	2	PC.
D03			654037-5	INSULATED TERM. FT1.25-M3	2	PC.
D05			654509-0	CONNECTOR 2-SD	1	PC.

Item No	Type	Ref	Part No	Description	Qty	Unit
<b><u>ACCESSORIES</u></b>						
<b>- See Catalogue or visit <a href="http://www.makita.ca">www.makita.ca</a> for more accessories -</b>						
A02			781019-5	WRENCH 50	1	PC.
A03			783201-2	HEX. WRENCH 3	1	PC.
A04			821550-0	PLASTIC CARRYING CASE	1	PC.
		INC.	453974-8	LATCH	4	PC.
A05			837630-2	INNER TRAY F/CARRYING CASE	1	PC.
A07			800V76-7	JN3201J INDICATION LABEL F/ CARRYING CASE	1	PC.
A08			792292-2	DIE	1	PC.
A09			792728-1	PUNCH	1	PC.

**SERVICE CHANGES**

**1. Change on Gasket**

Item No.	Description	Type 1
9	Gasket	442186-8

